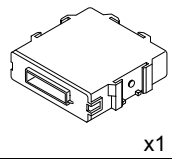
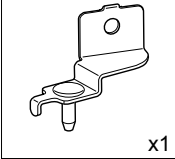
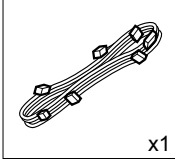
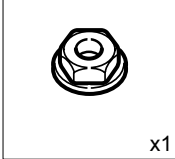
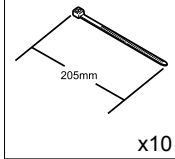
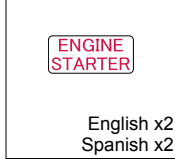

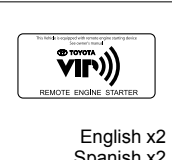
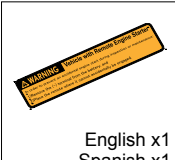



Part #: PT398-08150

Conflicts:

Do not install into Vehicles without Smart Key and Factory Alarm.

Kit Contents

<p>RES ECU</p>  <p>x1</p> <p>PT398-0T097</p>	<p>RES ECU Bracket</p>  <p>x1</p>	<p>V4 Harness</p>  <p>x1</p>	<p>Nut</p>  <p>x1</p>	<p>Wire Tie</p>  <p>x10</p>	<p>Remote Label</p>  <p>English x2 Spanish x2</p> <p>(E) 08192-07820 (S) PT398-00070-CL</p>	<p>Key Tag</p>  <p>English x2 Spanish x2</p> <p>(E) PT398-4209E (S) PT398-4209S</p>
<p>Window Label</p>  <p>English x2 Spanish x2</p> <p>(E) 08192-07810 (S) PT398-00071-SL</p>	<p>Engine Room Label</p>  <p>English x1 Spanish x1</p> <p>(E) PT398-00070-EL (S) PT398-00070-SL</p>	<p>Owner's Guide</p>  <p>x1</p>				

Service Part #'s

Additional Items Required

Item#	Description

Recommended Sequence of Application

Item#	Description

Recommended Tools

Personal & Vehicle Protection	Description
Safety Glasses	
Safety Gloves	(Optional)
Vehicle Protection	Blankets, Parts Boxes
Special Tools	
Techstream	Use latest version on TIS
Installation Tools	
Screwdriver	#2 Phillips
Nylon Panel Removal Tool	e.g. Panel Pry Tool #1 Toyota SST# 00002-06001-01
Side Cutters	
Torque Wrench	48 in•lbf (5.4 N•m)
Tape	Clear, Electrical
Socket	10mm
Special Chemicals	
Cleaner	VDC Approved Cleaner
Glass Cleaner	Household Glass Cleaner

Table of Contents

I. Preparation 1–3

 1. Table of Contents 2

 2. Wire Routing Overview 3

II. Procedure 4–18

 1. Disassembly 4

 2. RES ECU and V4 Harness Installation 6

 3. Registration Preparation 11

 4. Registration 12

 5. Tags and Labels 17

 6. Complete the Installation 18









III. Checklist 19–21

 1. Accessory Function Checks 19

 2. Vehicle Appearance Check 19

 3. Vehicle Function Checks 20

Legend

-  Do not proceed until process has been completed.
-  Follow steps carefully to avoid damaging the Vehicle or Accessory
-  Use caution to avoid injury.
-  Used in Figures to call attention to specific tools recommended for the process.
-  Highlights a change in installation with respect to previous issue.
-  Indicates that torque is related to safety.
-  Video available; click to play.
-  Wire Tie location and number.

Accessory Installation Practice (read before installation)

Care must be taken when installing this accessory to ensure damage does not occur to the vehicle. The installation of this accessory should follow approved guidelines to ensure a quality installation.

These guidelines can be found in the “Accessory Installation Practices” document.

This document covers such items as:

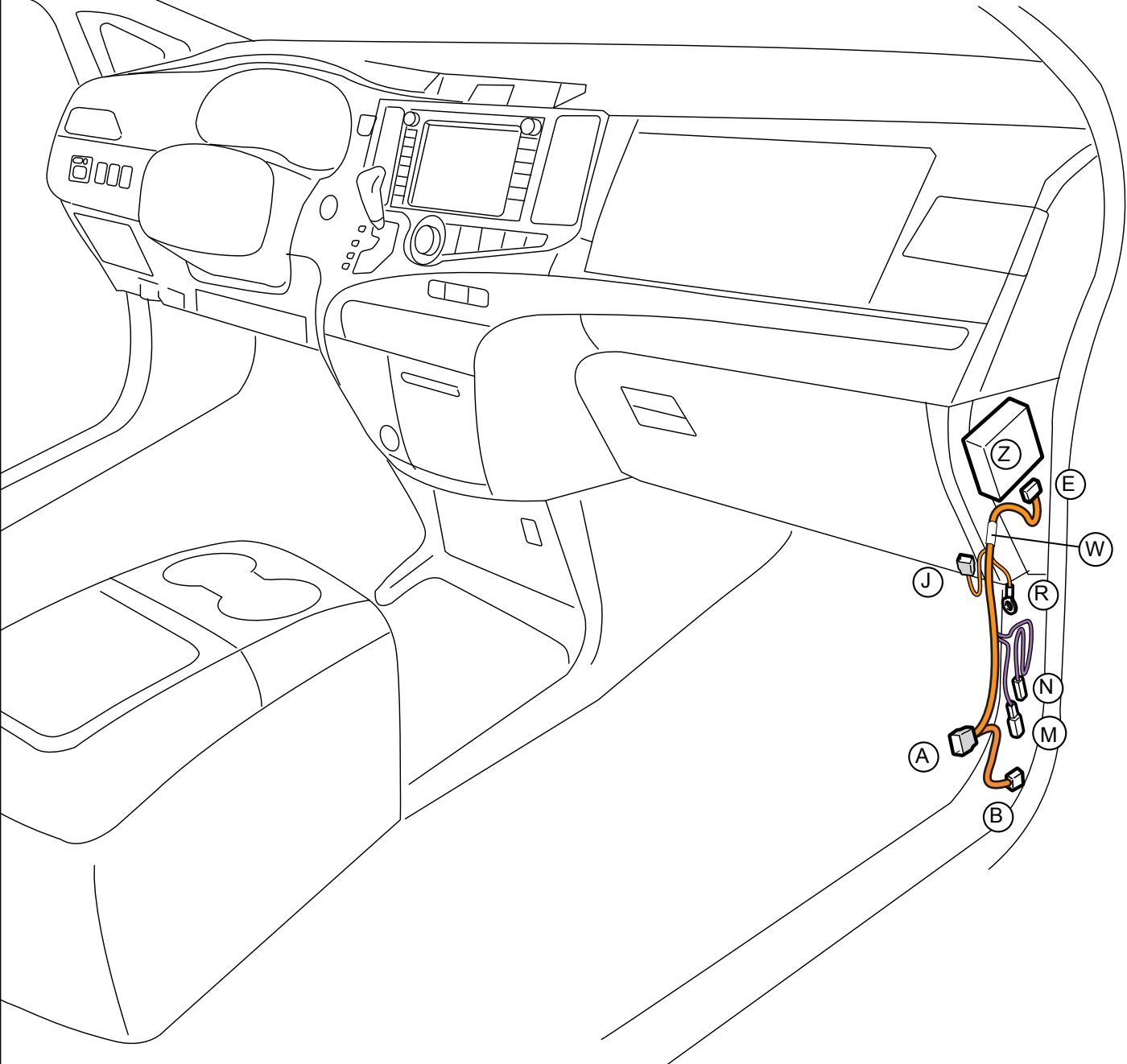
- Vehicle Protection (use of covers and blankets, cleaning chemicals, etc.)
- Safety (eye protection, checking torque procedure, etc.)
- Vehicle Disassembly/Reassembly (panel removal, part storage, etc.)
- Electrical Component Disassembly/Reassembly (battery disconnection, connector removal, etc.)

Please see your Toyota dealer for a copy of this document.

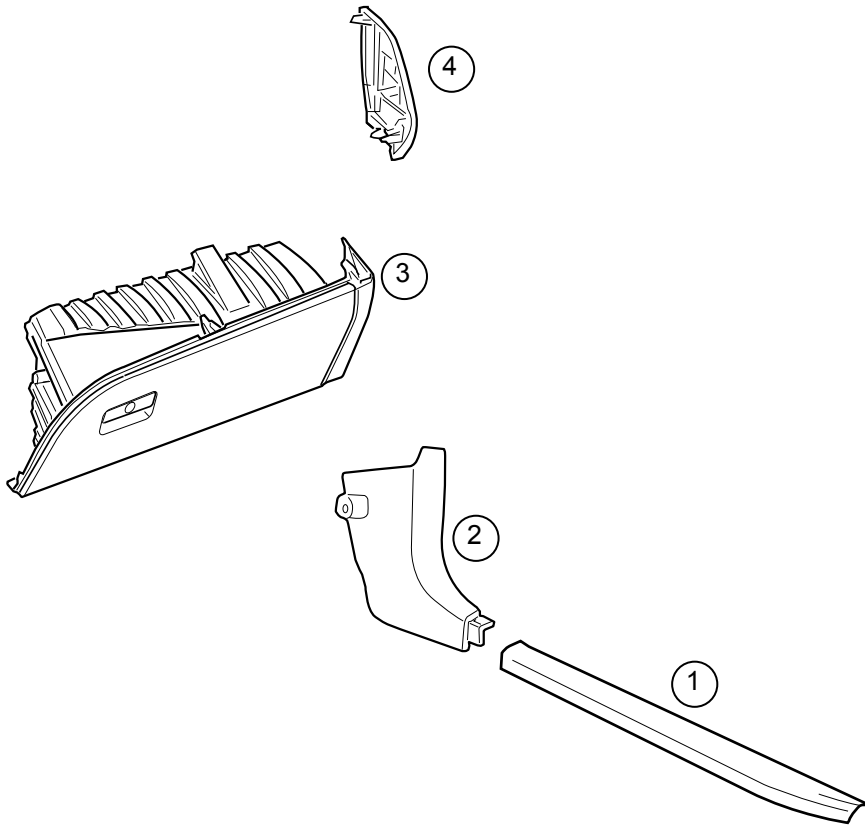
Sienna w/Smart Key and Factory Alarm RES

Wire Harness Outline

TVIP	Vehicle	Description
A	DL6	26P White
B	DL6	26P White
E	-	24P White <i>(for RES ECU)</i>
J	D91	5P White
M	-	1P White <i>(for Registration)</i>
N	-	1P White <i>(for Registration)</i>
R	D4	Ground Terminal
W	-	White Tape Marker
Z	-	RES ECU



Disassembly Overview



1	PS Step Cover
2	PS Cowl Cover
3	Glovebox
4	PS Dash Side Cover



Disconnect all Corresponding Connectors.



Re-attach Panel Clips that come off during disassembly.

1. Disassembly.

- Place the Vehicle in Park with the Parking Brake set.
- Disconnect the Negative Battery Terminal.
 - Note the Battery Cable Position as it will be re-installed in the same position.



CAUTION: Do not touch the Positive Terminal.

- c. Remove the Passenger's Side Step Cover.
- Disengage front inner sill clip and front step plate clip.
 - Disengage rear inner sill clip and rear step plate clip.
 - Hold ends up keeping guide pins up and slide sill forward to disengage remaining clips.



NOTE: Make sure to follow steps above to avoid breaking sill plate clips.

- d. Remove the Passenger's Side Cowl Cover.

- Remove 1 Nut.



- e. If the Clip stays in the vehicle remove it.

- Carefully remove otherwise it will fall inside the vehicle.
- Re-attach the Clip on the Cowl Cover.

- f. Remove 2 Bolts from the bottom of the Glovebox.

- g. Open Glovebox and remove 2 Screws.
- h. Remove the Glovebox.

- i. Remove Dash Side Cover.

2. RES ECU and V4 Harness Installation.

- a. Attach the RES ECU Bracket to the RES ECU.

- b. Install the RES ECU in the location shown using the Nut from the Kit.



NOTE: Make sure the Guide Pin is seated correctly.

- c. Plug in V4 24P Connector to the RES ECU.
- d. Secure V4 Harness's White Tape Marker to the Vehicle Harness with 1 Wire Tie.

- e. Remove the Vehicle's Ground Terminal Bolt.
 - Use Top Ground Terminal on the PS Cowl Area.
- f. Secure the V4 Ground Terminal to the Vehicle using the same Bolt.

V4 ONLY

- g. Locate the Vehicle's 5P Pre-connector.
- h. Remove the Tape securing the Pre-connector wire.
- i. Disconnect the Vehicle's 5P Pre-connector.

- j. Connect the Vehicle's 5P Pre-connector to the V4 5P Connector.

- k. Secure the 5P Connectors to the Vehicle Harness with 2 Wire Tie.

V4/V2 Add-on ONLY

l. Cut the Wire Tie securing the V2 5P Connector.

m. Plug the V2 5P Connector to the V4 5P Connector.

n. Secure the 5P Connectors to the Vehicle Harness with 1 Wire Tie.

- r. Secure the 26P Connectors to the Vehicle's Harness with 1 Wire Tie.
- s. Secure the V4 Harness to the Vehicle's Harness with 2 Wire Ties.

3. Registration Preparation.

- a. Reassemble the Vehicle except for the Passenger's Cowl Cover and Step Cover.

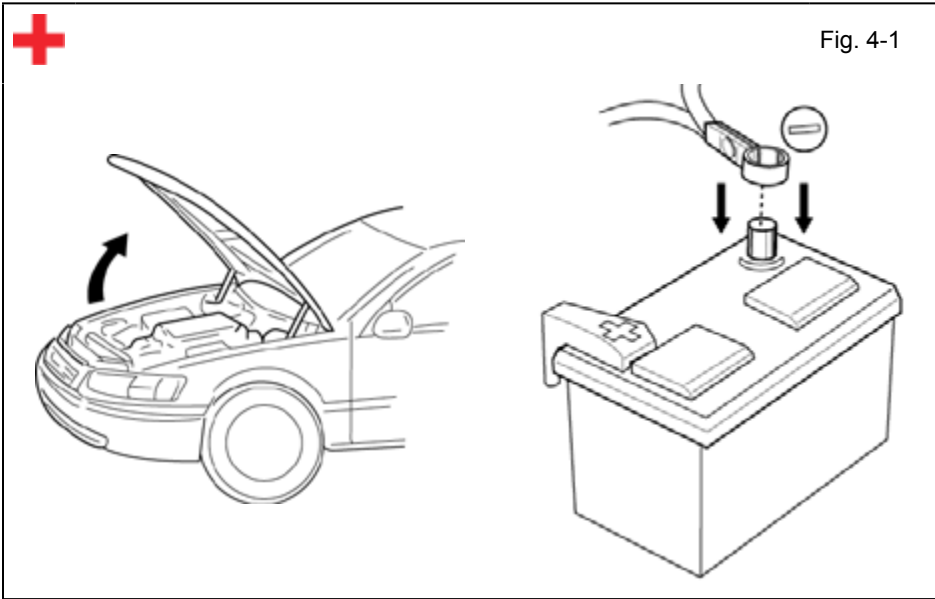


NOTE: Make sure that all Connectors are reconnected.



NOTE: Verify that panels fit together properly, with no uneven gaps.

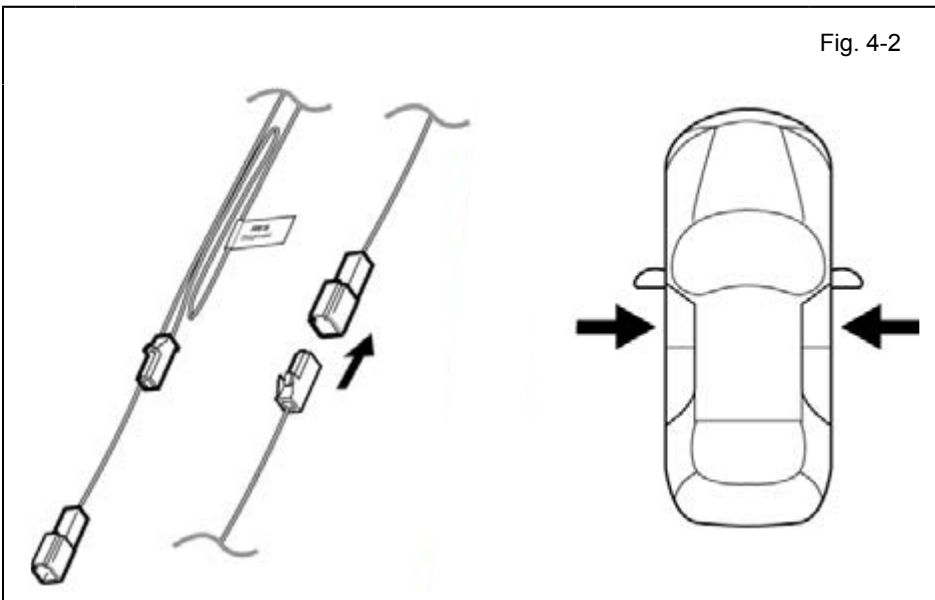
- b. Verify that the Short Pin is installed.
 - If not install now.



4. Registration.

- a. Open the Hood.
- b. Temporarily reconnect the Negative Battery Cable.

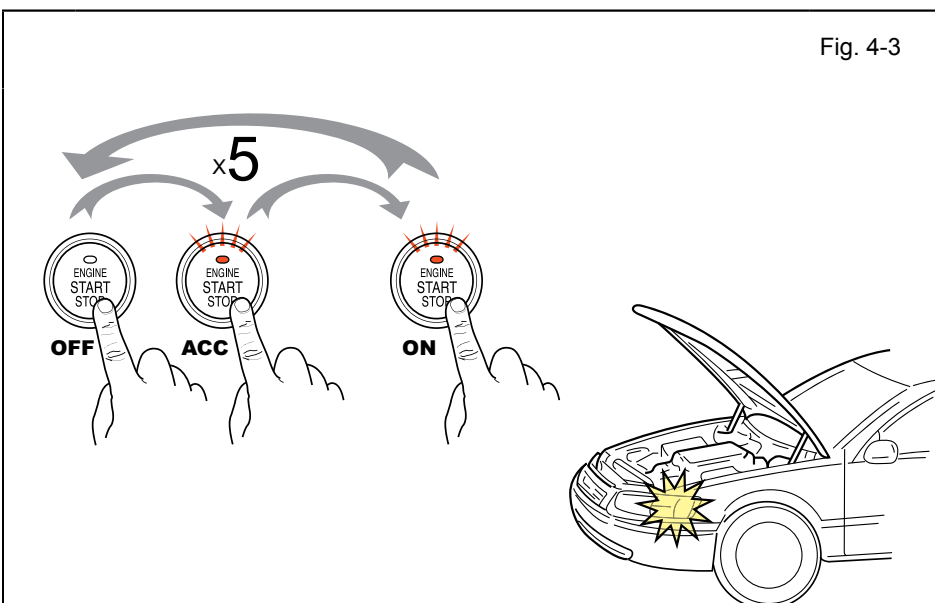
+ **CAUTION:** Do not touch the Positive Terminal.



- c. Locate the 1P RES Diagnostic Connectors in the Passenger's Side Cowl Area and connect them.

NOTE: Once connected you will have 10 minutes to complete this section, steps d-ab.

- d. Close all doors.



- e. Place the Vehicle in Park (P) or Neutral (N) position.
- f. Cycle the Smart Key Ignition Button from OFF to ON 5 times.

NOTE: One cycle consists of: OFF → Accessory → ON. This is equivalent to pressing the Smart Key Ignition Button 14 times.

LOOK: For the Hazard Lights to Flash Once.

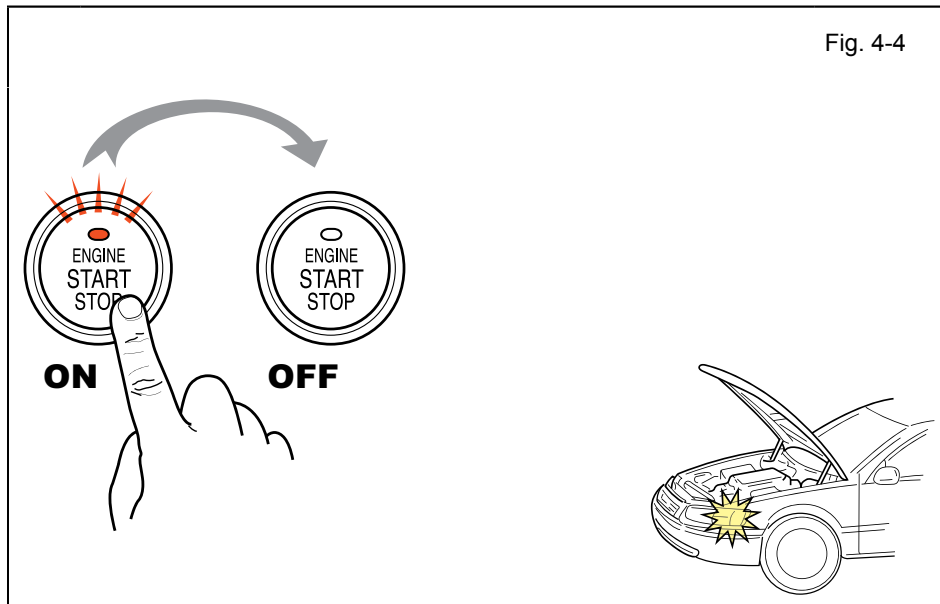


Fig. 4-4

- g. Start the Engine.
- h. After 10 seconds stop the Engine.

LOOK: For the Hazard Lights to flash Once.

IF THIS PROCEDURE FAILED

The Hazard Lights flash Three Times.

- Disconnect the V4 Harness's 1P RES Diagnostic Connectors.
- Start again from step c.

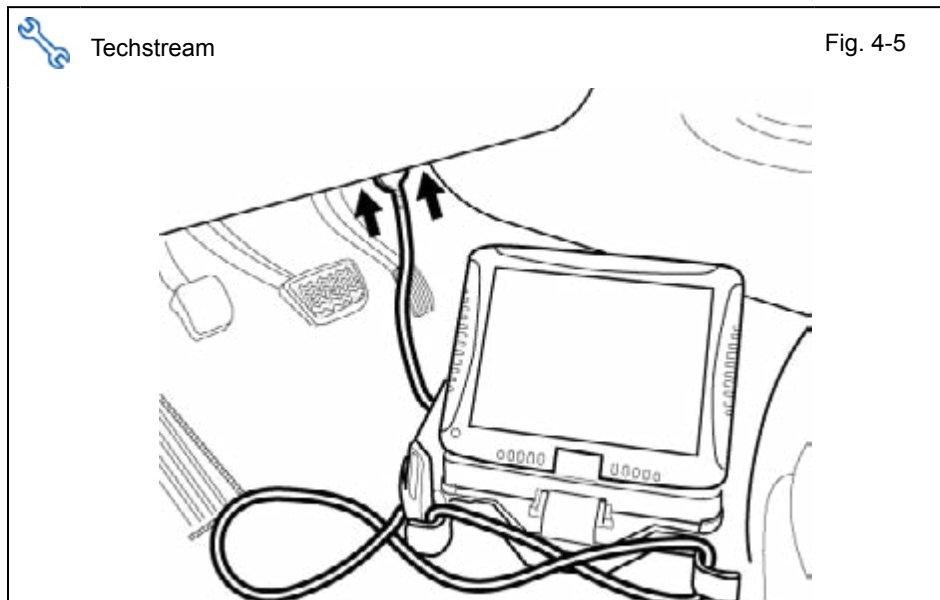


Fig. 4-5

- i. Connect the Techstream Notebook to the Vehicle's Diagnostic Port.
- j. With the Remote Control Key in your possession, press the Power Button twice to select the Ignition "ON" position.

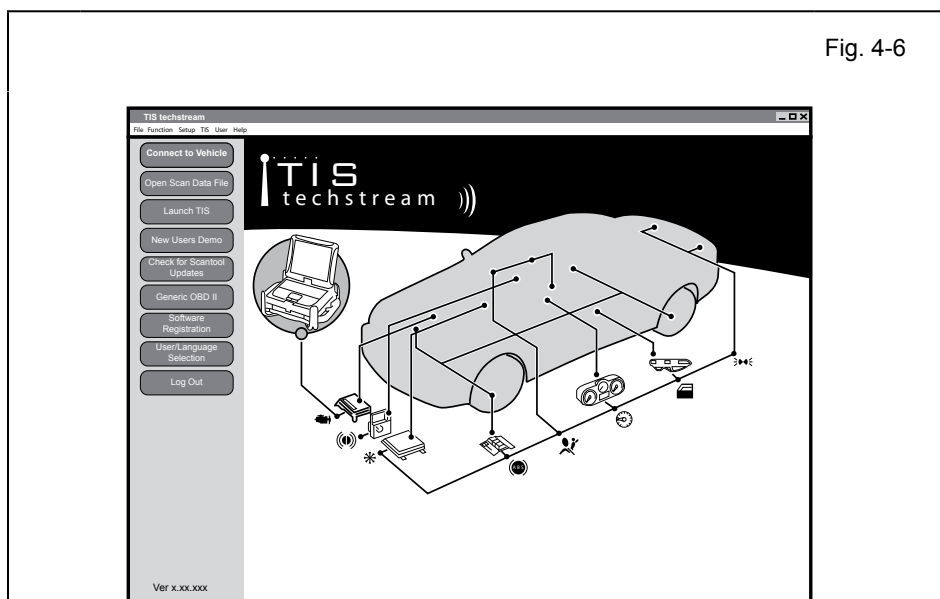


Fig. 4-6

- k. Start the TIS Techstream Application by clicking on the shortcut located on the Desktop.
- l. Click "Connect to Vehicle."

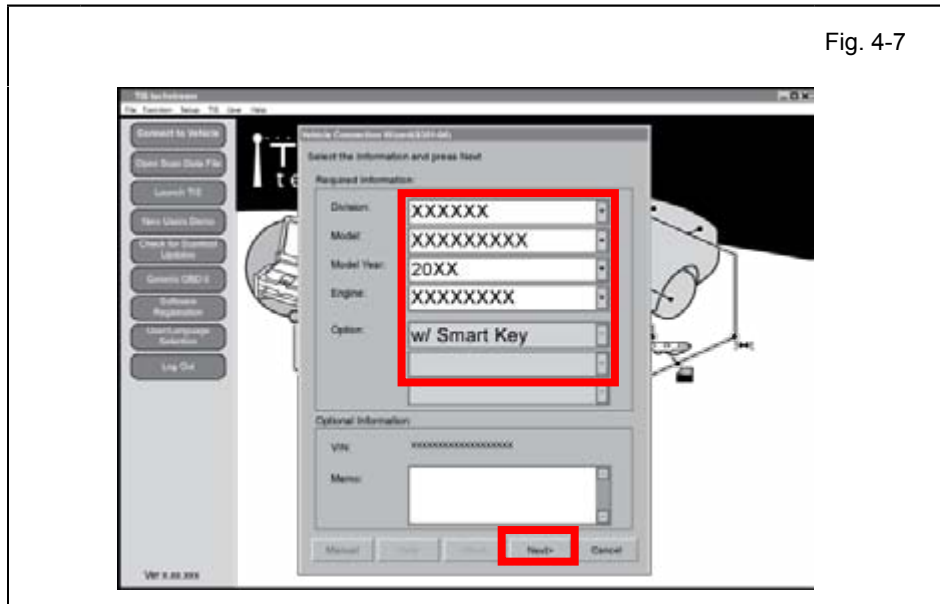


Fig. 4-7

- m. Confirm that the information displayed on the Vehicle Connection Wizard is correct for the vehicle. If not verify that the Techstream is properly connected.
- n. Select w/Smart Key.
- o. Click "Next>."

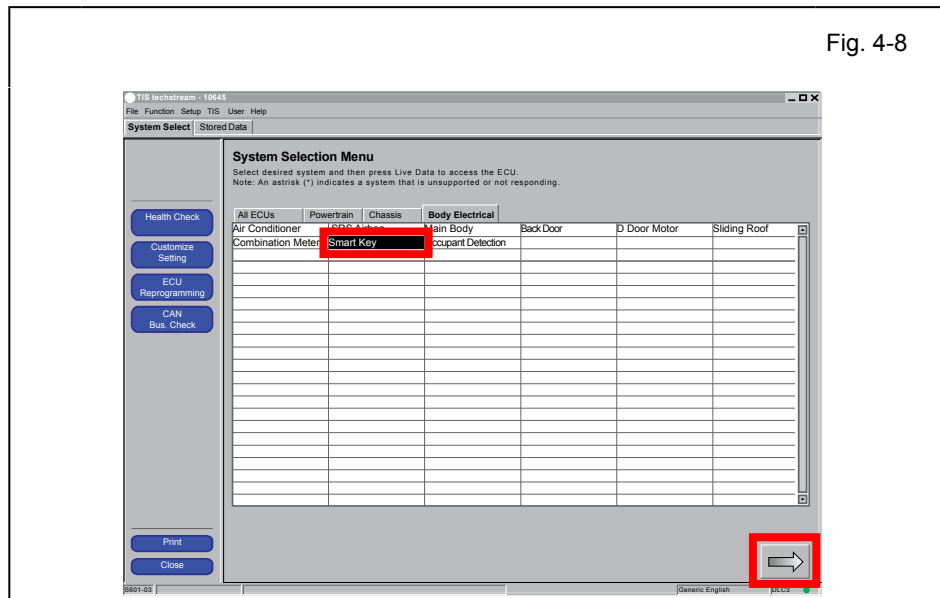


Fig. 4-8

- p. Select "Smart Key."
- q. Click .

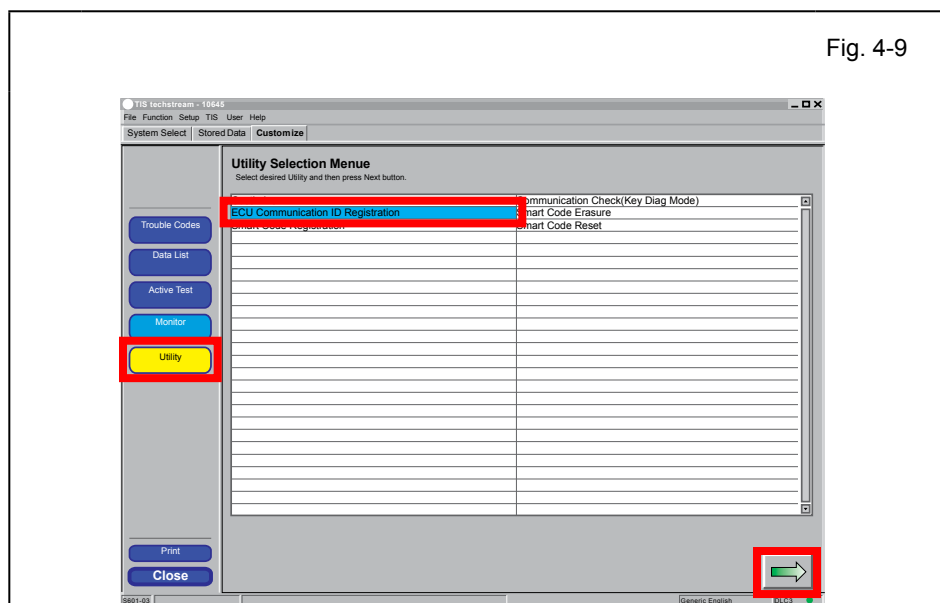

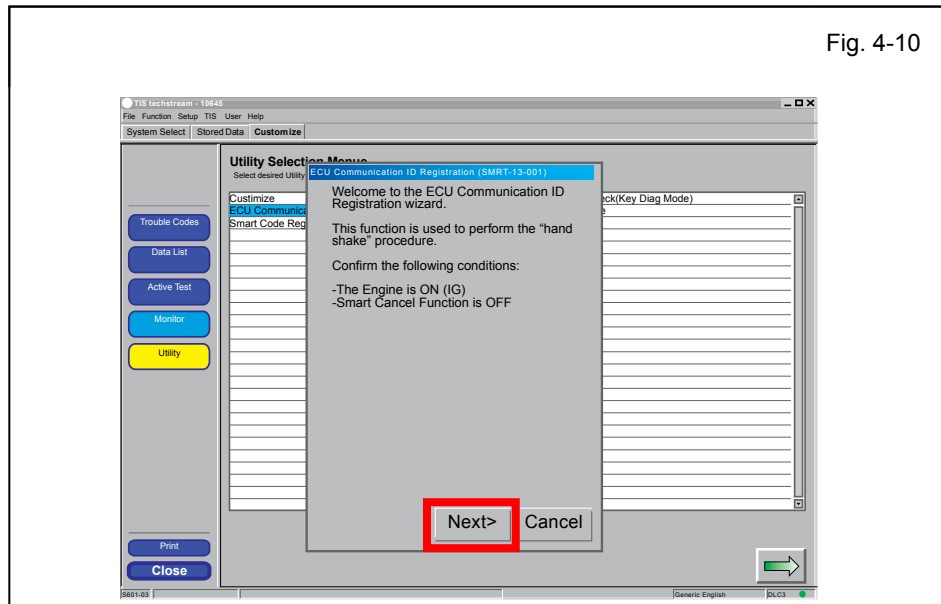
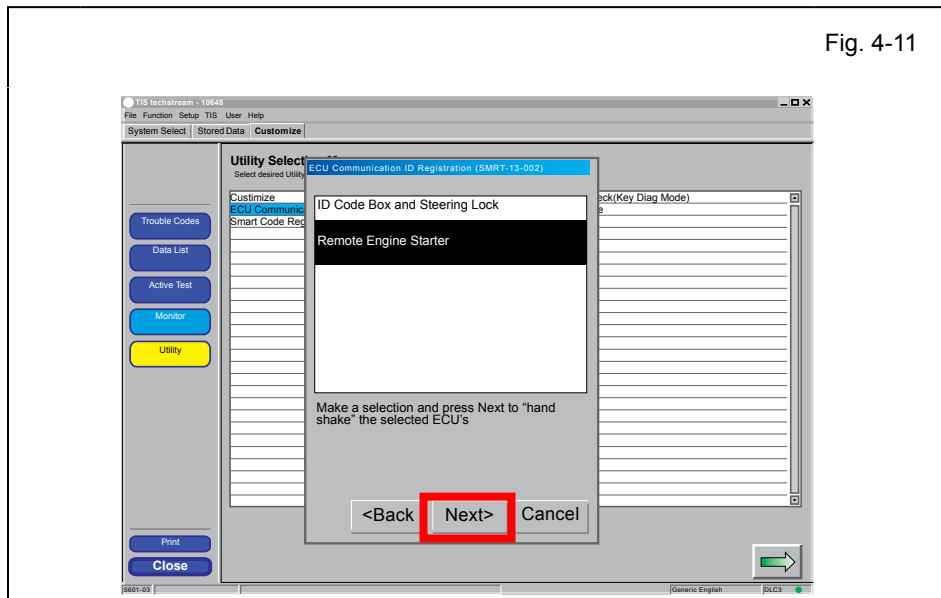


Fig. 4-9

- r. Click on "Utility."
- s. Select "ECU Communication ID Registration."
- t. Click .

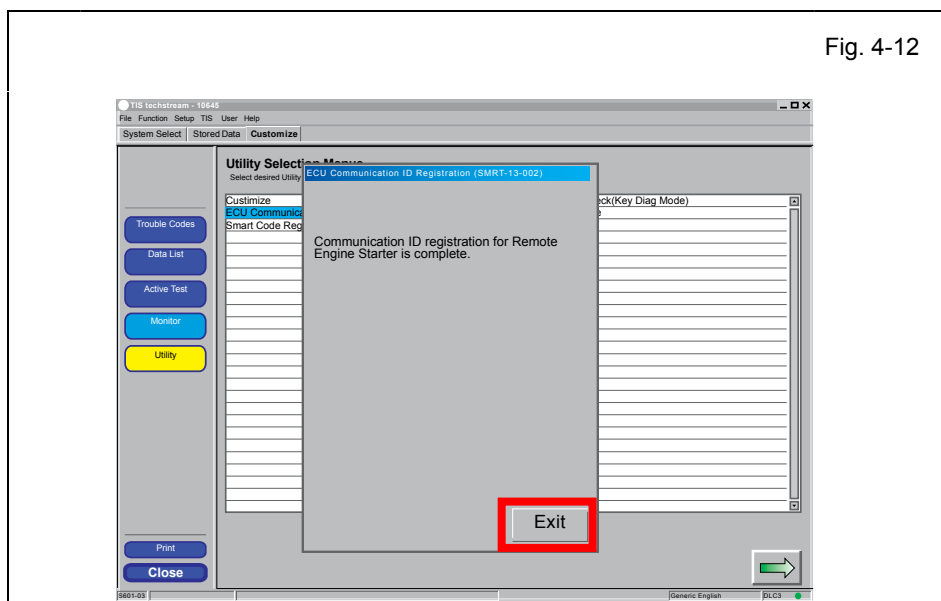


u. Click "Next>."



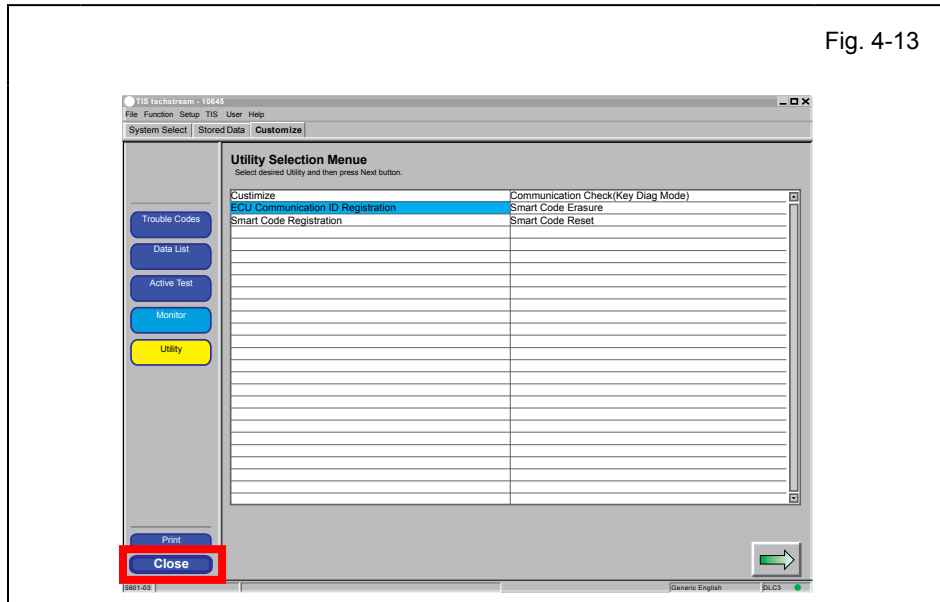
v. Select "Remote Engine Starter."

w. Click "Next>."

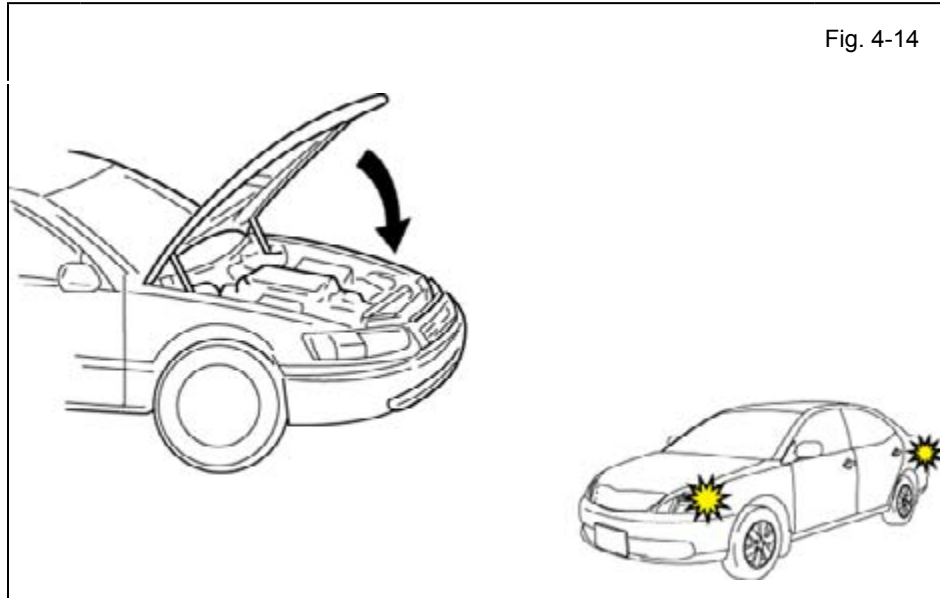


CONFIRM: That the ECU Communication ID was completed successfully.

x. Click "Exit."



y. Click 



- z. Exit the vehicle.
- aa. Close the Hood.
- ab. Look for the Hazards to flash Twice.

IF THIS PROCEDURE FAILED

The Hazard Lights flash Three Times.

- Disconnect the V4 Harness's 1P RES Diagnostic Connectors.
- Start again from step c.

- ac. After a successful Registration, disconnect the 1P RES Diagnostic Connectors.
- ad. Using Electrical Tape secure the RES Diagnostic Connectors and Harness to the Vehicle Harness.



5. Tags and Labels.

- For US Vehicles use the English Tags and Labels, and discard the Spanish Tags and Labels.
- For Mexico Vehicles use the Spanish Tags and Labels, and discard the English Tags and Labels.

- a. Using VDC approved cleaner and cleaning method, clean the area indicated in the Engine Compartment.
- b. Attach the Engine Room Warning Label as shown.



CAUTION: Do not touch the adhesive surface.

- c. Using VDC approved cleaner and cleaning method, clean the indicated area on the key.
- d. Use a piece of Clear Tape to lift the label off its protective backing.



CAUTION: Do not touch the adhesive surface.

- e. Attach the Key Label as shown.
- f. Attach the Key Tag.

REPEAT: steps c–f with the other Smart Key.

- g. Use Household Glass Cleaner to clean the inside of the Front Door Windows.
- h. Use a piece of Clear Tape to lift the Label from the protective backing.



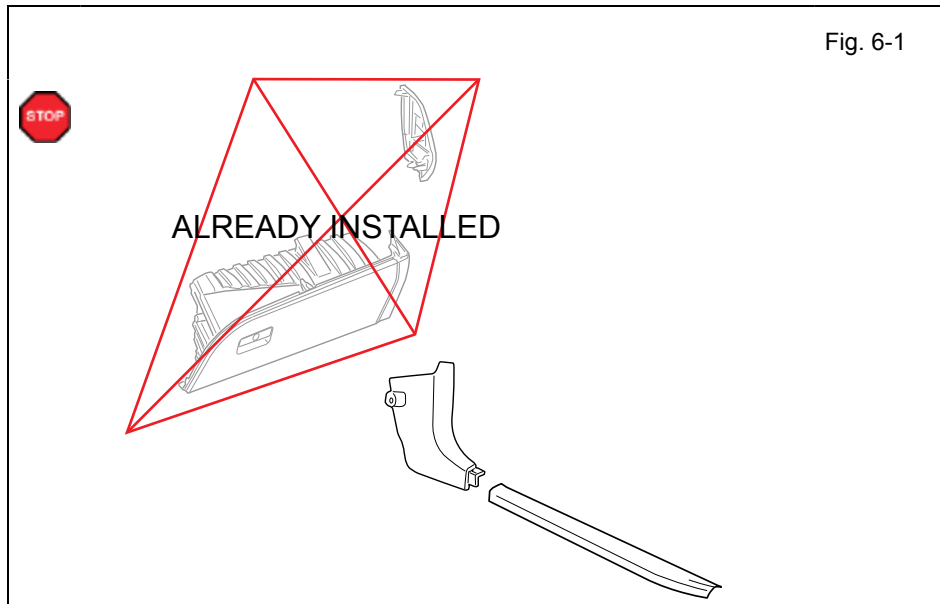
CAUTION: Do not touch the adhesive surface.

- i. Attach the Label as shown.




NOTE: Make sure to Align according to Etching or Other Label.


REPEAT: steps g–i with the other Window.

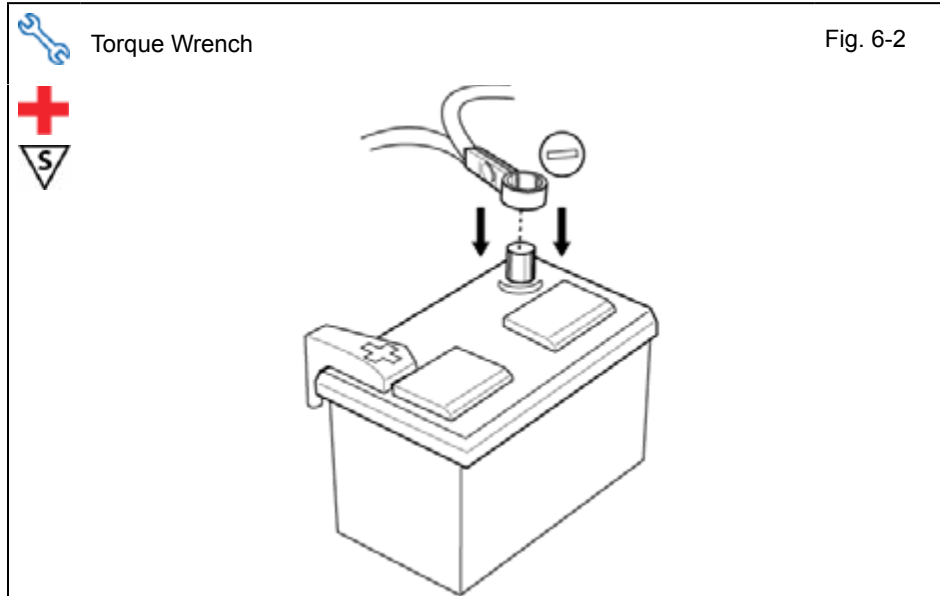


6. Complete the Installation.


- a. Finish reassembling the Vehicle.


 **VERIFY:** That panels fit together properly, with no uneven gaps.

 **VERIFY:** That all Connectors are plugged in.



- b. Position the Negative Battery Cable at the original factory position.

 • Tighten the Nut to 48 in•lbf (5.4 N•m)

 **CAUTION:** Do not touch the positive terminal.

- c. Clean up and Remove trash.
- d. Sealed in its protective bag, place the Owner's Manual in the Glovebox.

Accessory Function Checks

Close the hood, enter the vehicle and close all doors. Place the shift lever in the “P” (Park) position, set the parking brake and make sure the Vehicle is off.

Perform		Look For
1	Press the remote control’s lock button twice within 2 seconds, then press and hold the lock button for 3 seconds.	The hazard lights flash after 3 seconds. The engine starts. The hazard lights flash repeatedly for 10 seconds.
2	With the engine running, pull the hood release handle.	The engine stops. The hazard lights flash once. The security alarm triggers. (Only if equipped with OE Factory Alarm, not Genuine Accessory alarm, and only if armed)
3	Move the shift lever out of “P” (Park). Attempt to start the Vehicle using the remote.	The engine does not start.

Vehicle Appearance Check

Perform		Look For
<input type="checkbox"/>	After accessory installation and removal of protective cover(s), perform a visual inspection of the vehicle.	Ensure no damage (including scuffs and scratches) was caused during the installation process. (For PPO installations, refer to TMS Accessory Quality Shipping Standard.)









Vehicle Function Checks

Function	Function
----------	----------

Enter the Vehicle

<input type="checkbox"/> Dome/Courtesy Lights	<input type="checkbox"/> Horn
---	-------------------------------

Start the Vehicle

<input type="checkbox"/> Panel/Switch Illumination	<input type="checkbox"/> Gauges
<input type="checkbox"/> Check Engine Light <i>If the warning light remains on, it may indicate a system malfunction.</i> 	<input type="checkbox"/> ABS Light (if equipped) <i>If the warning light remains on, it may indicate a system malfunction.</i> 
<input type="checkbox"/> Lamp Failure Sensor <i>If the warning light remains on, it may indicate a system malfunction.</i> 	<input type="checkbox"/> Track/Skid Control Light (if equipped) <i>If the warning light remains on, it may indicate a system malfunction.</i> 
<input type="checkbox"/> Seat Belt Warning Light <i>If the warning light remains on, it may indicate a system malfunction.</i> 	<input type="checkbox"/> Tire Pressure Monitoring System (TPMS) <i>Prior to TPMS activation and Pre-delivery Service (PDS) of the Vehicle the TPMS light will blink when IG is turned on.</i> <i>After TPMS activation and PDS of the Vehicle the TPMS light will illuminate for a few seconds and go off when IG is turned on.</i> 
<input type="checkbox"/> Air Bag Warning Light <i>If the warning light remains on, it may indicate a system malfunction.</i> 	
<input type="checkbox"/> Cruise Control Light (if equipped) 	

Using a Mirror or Assistant check the following.

<input type="checkbox"/> Trunk/Tailgate/Bed Lights (if equipped)	<input type="checkbox"/> Tail Lights
<input type="checkbox"/> Brake Lights	<input type="checkbox"/> Daytime Running Lights (if equipped)
<input type="checkbox"/> Backup Lights	<input type="checkbox"/> Marker Lights
<input type="checkbox"/> Clearance Sonar (if equipped)	

Stop the Engine, Place the Vehicle's IG in the ON position.

<input type="checkbox"/> Hazard Lights	<input type="checkbox"/> Turn Signal Lights
<input type="checkbox"/> Head Light	<input type="checkbox"/> Fog Lights (if equipped)
<input type="checkbox"/> High Beams	<input type="checkbox"/> Accessory Controls/Illumination (if equipped)
<input type="checkbox"/> Power Side Mirrors (if equipped)	<input type="checkbox"/> Convenience Memory Settings (if equipped)
<input type="checkbox"/> Power Sliding Door (if equipped)	<input type="checkbox"/> Rear Sunshade (if equipped)

Function		Function	
<input type="checkbox"/>	Front Wiper/Washer	<input type="checkbox"/>	Rear Wiper/Washer (if equipped)
<input type="checkbox"/>	Power Sun/Moon Roof (if equipped)	<input type="checkbox"/>	Rollover Side Curtain Air Bag Switch (RSCA) (if equipped)
<input type="checkbox"/>	Clock (if equipped)	<input type="checkbox"/>	Navigation System (if equipped)
<input type="checkbox"/>	Audio/Video (if equipped)	<input type="checkbox"/>	USB Connections (if equipped)
<input type="checkbox"/>	Steering Wheel Audio Control (if equipped)	<input type="checkbox"/>	HVAC
<input type="checkbox"/>	Front Windshield Defogger (if equipped)	<input type="checkbox"/>	Rear Window Defogger (if equipped)
<input type="checkbox"/>	Side Mirror Defogger (if equipped)	<input type="checkbox"/>	Accessory Power Socket (if equipped)
<input type="checkbox"/>	Massage Seats (if equipped)	<input type="checkbox"/>	Heated/Vented Seats (if equipped)
<input type="checkbox"/>	Glove box Light (if equipped)	<input type="checkbox"/>	Passenger Air Bag Switch (if equipped)
<input type="checkbox"/>	Power Locks (if equipped)	<input type="checkbox"/>	Power Windows (if equipped)
<input type="checkbox"/>	Power Seats (if equipped)	<input type="checkbox"/>	Key Sensor Buzzer